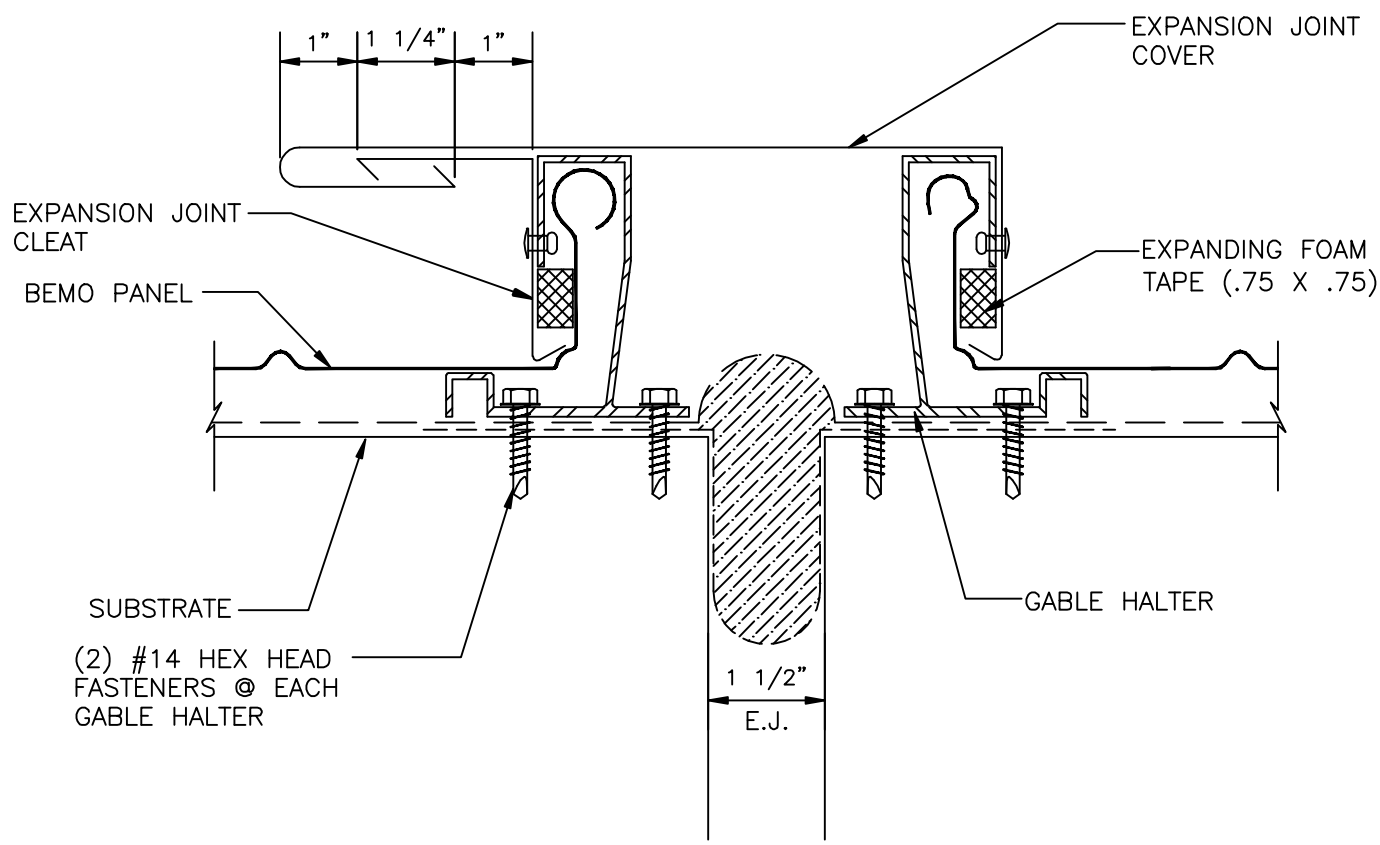


DIMENSIONS CAN BE ADJUSTED TO ACCOMMODATE LARGER BUILDING EXPANSION JOINTS; CONSULT MANUFACTURER



**BEMO·USA**  
*Xtreme Roofing Solutions*  
 p: 1.800.926.2366  
 TAMPA, FLORIDA • PHOENIX, ARIZONA • PITTSBURGH, PENNSYLVANIA

PANEL: BEMO	REVISION: 0
DETAIL: EXPANSION JOINT COVER	PAGE: 1 OF 1