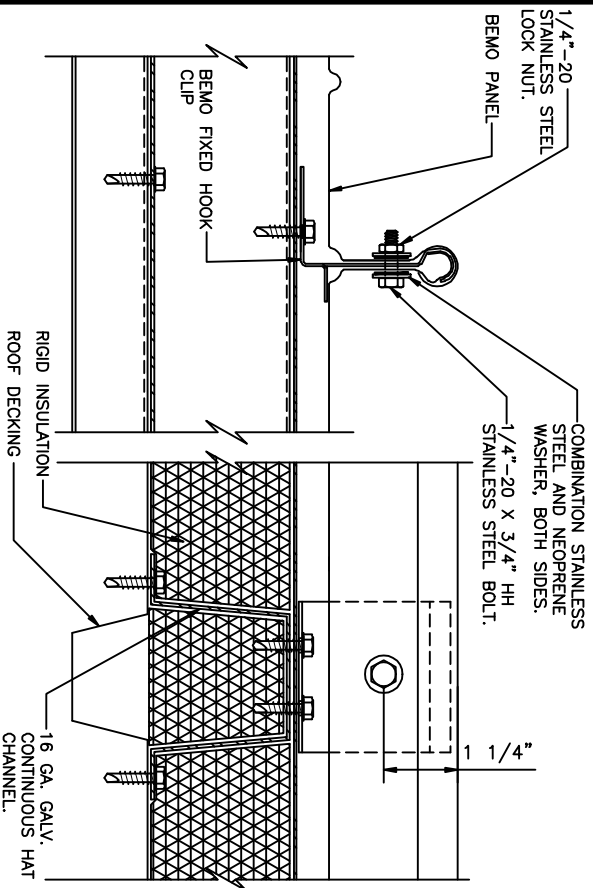


ATTACH THE BOLT AS HIGH ON THE PANEL RIB STEM AS POSSIBLE AND IN THE CENTER OF THE HALTER STEM.



BEMO FIXED CLIP FOR LONG PANELS
 VERIFY LOCATION OF FIXED CLIP ON ROOF PLAN.

NOTE: THIS METHOD OF FIXED CLIP IS TO BE USED ON PANELS WITH THE FOLLOWING LIMITATIONS.


A) FIXED LINE AT EAVE OR RIDGE.

- 1) STEEL PANELS 75'-0" LONG OR LESS
- 2) ALUMINUM & ZINC PANELS 50'-0" LONG OR LESS
- 3) STAINLESS & COPPER PANELS 60'-0" LONG OR LESS

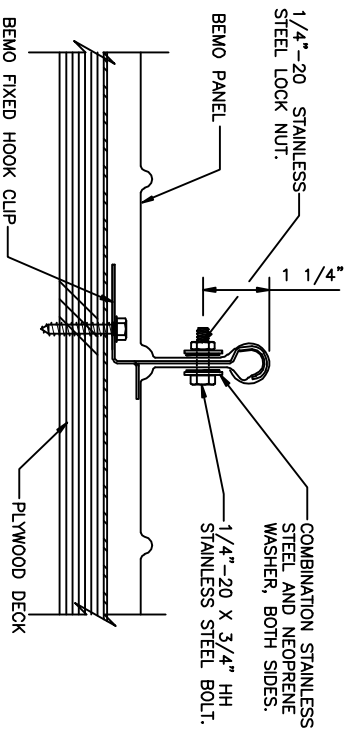
B) FIXED LINE AT CENTER OF PANEL LENGTH.

- 1) STEEL PANELS OVER 75'-0" LONG
- 2) ALUMINUM & ZINC PANELS OVER 50'-0" LONG
- 3) STAINLESS & COPPER PANELS OVER 60'-0" LONG

FOR PANELS FROM 75' TO 150', TWO ROWS OF FIXED CLIPS ARE REQUIRED. FOR PANELS OVER 150' THREE ROWS OF FIXED CLIPS ARE REQUIRED.

 <p>BEMO-USA Xtreme Roofing Solutions For Architects TAMPA, FLORIDA • PHOENIX, ARIZONA • PITTSBURGH, PENNSYLVANIA</p>	
PANEL:	REVISION:
BEMO	1
DETAIL:	PAGE:
PANEL FIXING POINT (HOOK CLIP)	1 OF 1

ATTACH THE BOLT AS HIGH ON THE PANEL RIB STEM AS POSSIBLE AND IN THE CENTER OF THE CLIP STEM.



BEMO FIXED CLIP FOR LONG PANELS
 VERIFY LOCATION OF FIXED CLIP ON ROOF PLAN.

NOTE: THIS METHOD OF FIXED CLIP IS TO BE USED ON PANELS WITH THE FOLLOWING LIMITATIONS.


A) FIXED LINE AT EAVE OR RIDGE.

- 1) STEEL PANELS 75'-0" LONG OR LESS
- 2) ALUMINUM & ZINC PANELS 40'-0" LONG OR LESS
- 3) STAINLESS & COPPER PANELS 50'-0" LONG OR LESS

B) FIXED LINE AT CENTER OF PANEL LENGTH.

- 1) STEEL PANELS OVER 75'-0" LONG
- 2) ALUMINUM & ZINC PANELS OVER 40'-0" LONG
- 3) STAINLESS & COPPER PANELS OVER 50'-0" LONG

FOR PANELS FROM 75' TO 150', TWO ROWS OF FIXED CLIPS ARE REQUIRED. FOR PANELS OVER 150' THREE ROWS OF FIXED CLIPS ARE REQUIRED.

 <p>BEMO-USA Xtreme Roofing Solutions For Architects TAMPA, FLORIDA • PHOENIX, ARIZONA • PITTSBURGH, PENNSYLVANIA</p>	
PANEL:	REVISION:
BEMO	0
DETAIL:	PAGE:
PANEL FIXING POINT (HOOK CLIP)	1 OF 1