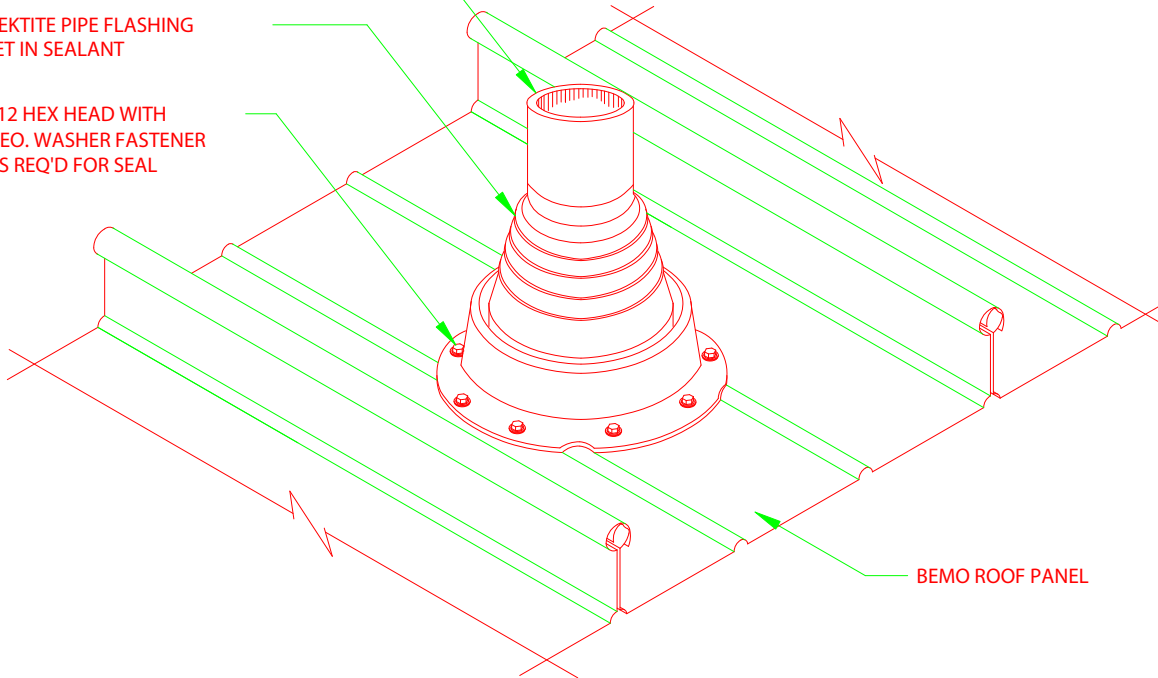


THRU ROOF PIPE

DEKTITE PIPE FLASHING
SET IN SEALANT

#12 HEX HEAD WITH
NEO. WASHER FASTENER
AS REQ'D FOR SEAL



BEMO ROOF PANEL

NOTES:

- 1) THE DEKTITE PIPE FLASHING MUST BE FASTENED TO THE PANEL ONLY AND NOT INTO THE ROOF SUBSTRATE TO ALLOW THE PANEL TO MOVE THERMALLY.
- 2) ADEQUATE CLEARANCE MUST BE LEFT BETWEEN THE PIPE AND THE PANEL TO ALLOW FOR THERMAL MOVEMENT WITHOUT INTERFERENCE.

BEMO·USA

The New Dimension In Metal Roofing
p: 1.800.926.2366



PANEL:

BEMO

DETAIL:

PIPE PENETRATION DETAIL

REVISION:

0

PAGE:

1 OF 1